

OSS Electronic Inclinometer EI-1

Accurate heel & pitch monitoring
with alarm and VDR output

mandatory for new buildings



OSS Electronic Inclinometer EI-1

Why electronic?

Traditional inclinometers are subject to exaggerate values up to 30%. The EI-1 accurately indicates a reliable heel & pitch value. Designed to the latest IMO performance standard MSC.363(92) it provides VDR output and offers not only indication and alarm, but also post incident data that gives valuable data input to a cause analysis. EI-1 serves better understanding of ship's movement and steering behavior, supervision of trim, cargo- and stability status.

Technical Data

- 7 inch color LCD with 800x480 resolution
- Marine standard dimmable
- Measurement range: +/-180° for heel, +/-90° for pitch
- Angular accuracy: +/-5% of measured value or +/-1°
- Time accuracy: +/-5% of measured value or +/-1s
- Alarm thresholds for sensor failure and heel angle
- Trend plot: 3 min for heel angle and 30min for roll amplitude
- Communication interface: IEC61162-1/-2 and Ethernet (supporting IEC61162-450)
- Support of slave displays when using Ethernet connection
- Supported sentences: HRM, ALR, ACK
- Main-/emergency supply voltage 24 VDC, 1 A max (24 VA max)
- Operating temperature range: -15...+55°C
- Net weight: 1,5kg (display unit)

Approvals

BSH type approved according to:

- IMO Performance Standard MSC.363(92) - function
- IEC 60945 - environment
- IEC 61162-1,-2,-450 - interfaces
- IEC 62288 - presentation

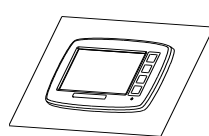
Options (mounts included)



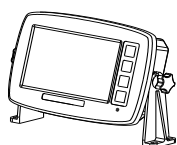
Remote Dimmer



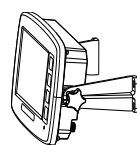
Slave Display



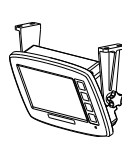
Flush mount



Desk mount



Wall mount

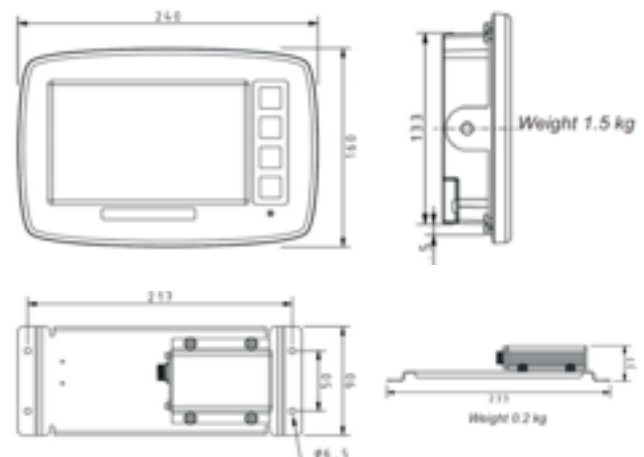


Ceiling mount

What is in the box

- Display Unit configured as MASTER
- Sensor unit with mounting plate
- 4-core shielded power supply cable (3m)
- 6-core shielded serial interface cable (3m)
- shielded Sensor cable (3m)
- RJ45 cable gland (Ethernet cable not included)
- Mounting frame & brackets for display

Dimensions & weight



Configuration

